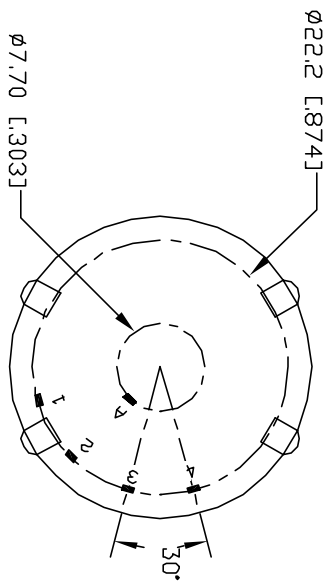
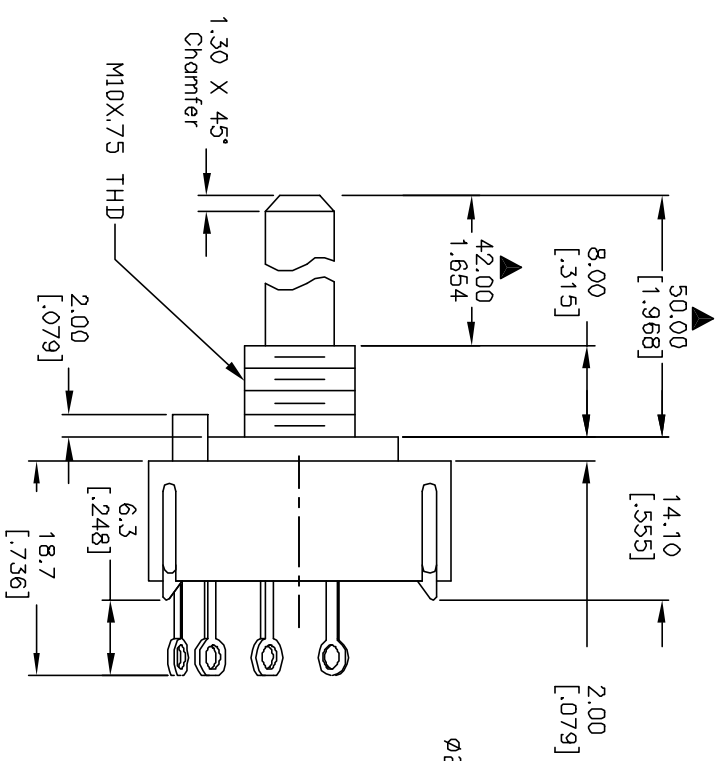
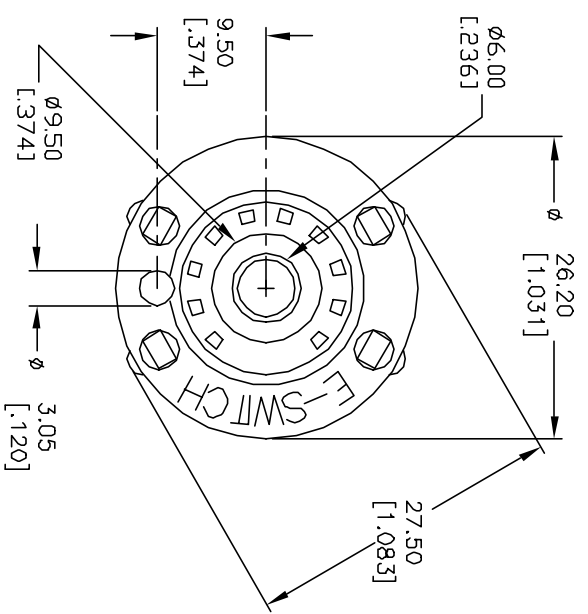
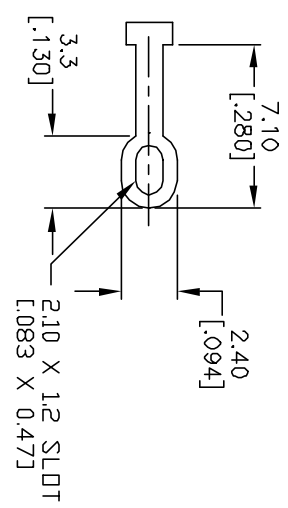
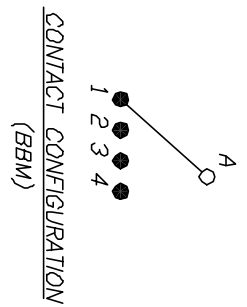


- NOTES:
1. ALL DIMENSION IN MM [INCH]
 2. GENERAL TOLERANCE: X.X=±0.4
X.XX=±0.25
 3. TERM. NOS. FOR REF. ONLY
 4. CONTACT RATING SWITCHING: 150mA, 250V AC/DC
350mA, 110V AC/DC
 5. OPERATING FORCE: 425±100 CM/STANDARD
 6. OPERATING TEMP: -30° to 85°C
 7. CIRCUIT SP: 4 POSITIONS, 30° INDEX.
 8. DESIGNATE MAJOR DIMENSIONS
 9. LOCK NUT AND WASHER NOT SHOWN.



E-SWITCH®

REV. A		ECN No. 11272		RELEASED FOR PRODUCTION		DATE 3/01/01		CHKD CJB	
TITLE		KC-14-B-02-N-L-S (B=50mm)							
SCALE		1.5:1		DATE		3/01/01		DR CJB	
Dwg		G510893		REV		A		THE INFORMATION CONTAINED IN THIS DOCUMENT IS PROPRIETARY TO E-SWITCH AND IS NOT TO BE COPIED OR TRANSFERRED	